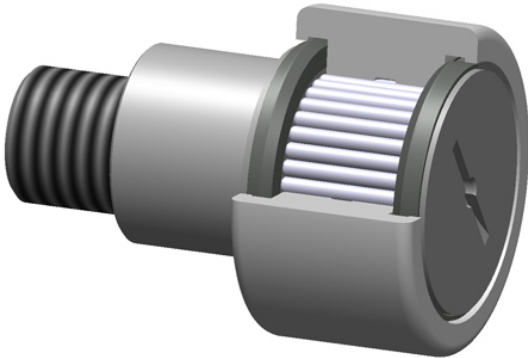




Osborn Load BEARING LTD



SCFE-4.00-S Bearing 2D drawings and 3D CAD models

PCI Procal Inc. SCFE-4.00-S Crowned & Flat Cam Followers Bearings

Bearing No. SCFE-4.00-S

roller diameter:	4.0000 in
closure type:	Sealed
roller width:	2.2500 in
head type:	Slotted
stud diameter:	2.0000 in
thread size:	1-1/2-12
stud length:	3.5000 in
radial dynamic load capacity:	30270 lbs
roller shape:	Flat
radial static load capacity:	28700 lbs
roller material:	Chrome Steel
technical specifications:	Click here
bearing element:	Needle Rollers