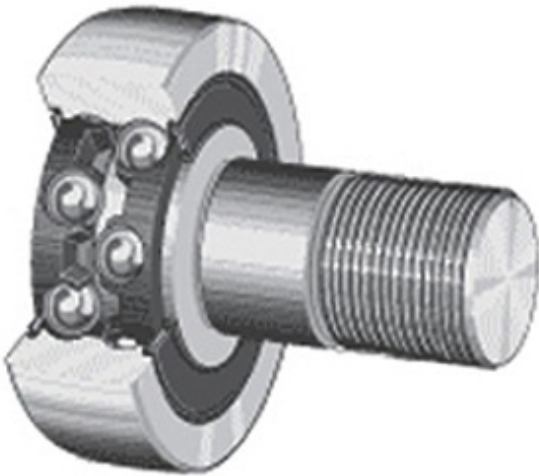




Osborn Load BEARING LTD

Osborn Load Runners PLR-1-3/4-5 Crowned & Flat Cam Followers Bearings



PLR-1-3/4-5 Bearing 2D drawings and 3D CAD models

Bearing No. PLR-1-3/4-5

Category	Cam Follower and Track Roller - Stud Type
Inventory	0.0
Manufacturer Name	OSBORN
Minimum Buy Quantity	N/A
Weight	0.32
Product Group	B04120
Roller Surface Profile	Flat
Profile	Stud Type
Thread Size	1/2-13
Stud Profile	Standard Stud
Enclosure	Sealed
Rolling Element	Ball Bearing - Double Row
Relubricatable	No
Hex Socket	Yes
Inch - Metric	Inch
Other Features	High Alloy Steel Tread
Long Description	1-3/4" Roller Diameter; 1-7/16" Roller Width; Flat Roller Surface; Stud Type; 1/2" Stud Diameter; 1/2-13 Thread; Standard Stud; Sealed; Ball Bearing - Double Row; Not Relubricatable; He
Category	Cam Followers Stud Type
UNSPSC	31171530
Harmonized Tariff Code	8482.10.50.68



Osborn Load BEARING LTD

Noun	Bearing
Keyword String	Cam Follower
Manufacturer URL	http://www.osborn.com
Manufacturer Item Number	PLR-1 3/4-5
Manufacturer Internal Number	95115
Weight / LBS	0.7
Roller Diameter	1.75 Inch 44.45 Millimeter
Stud Diameter	0.5 Inch 12.7 Millimeter
Roller Width	1.438 Inch 36.525 Millimeter